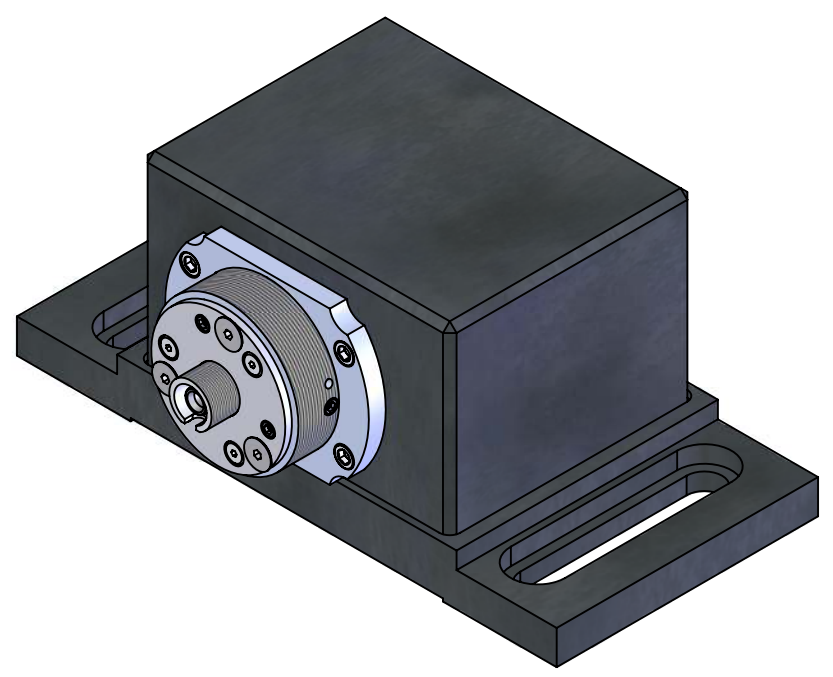
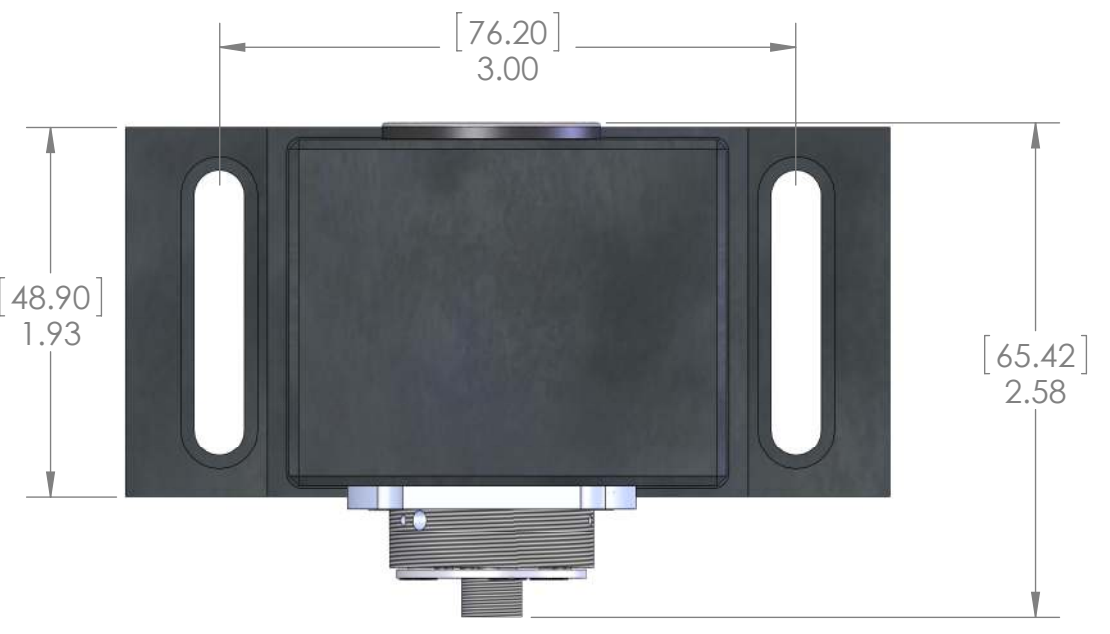
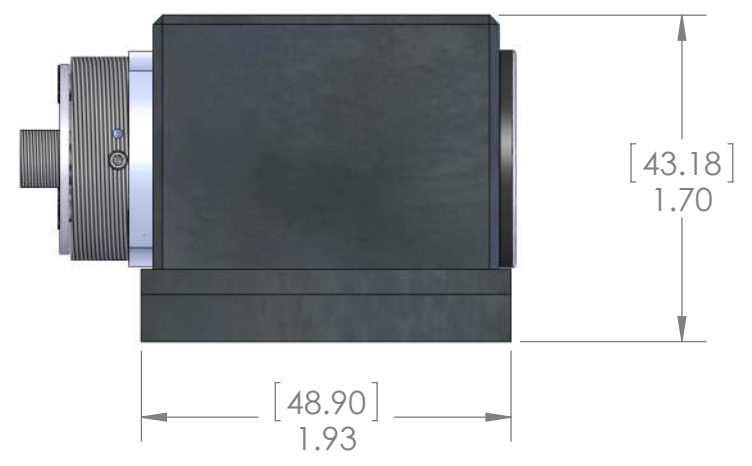
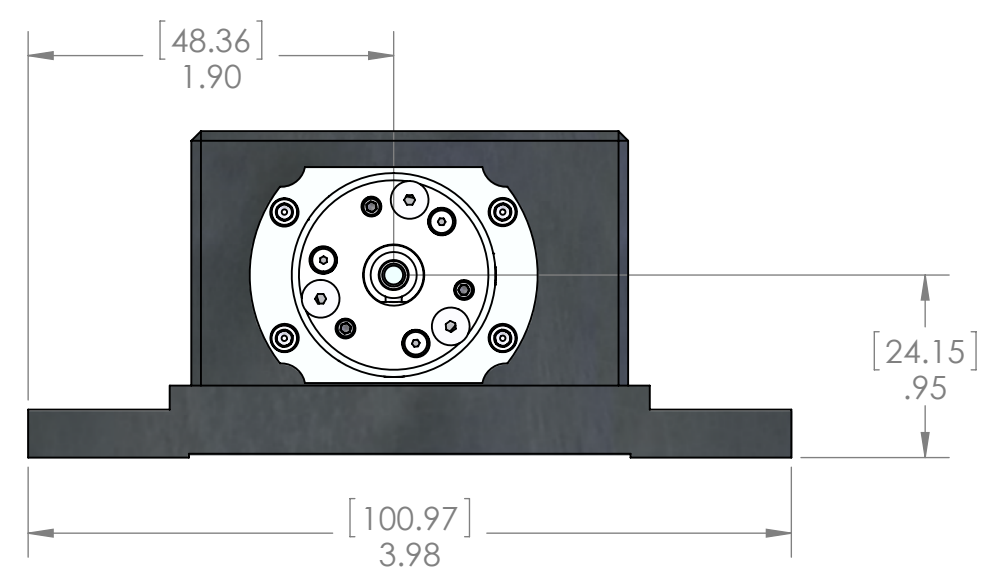


8 7 6 5 4 3 2 1

D
C
B
A




D
C
B
A



A

A

8 7 6 5 4 3 2 1

| | | | | | |
|---|----------|----------|---|------------------|--------------|
| | NAME | DATE |  | | |
| DRAWN | Jason P. | 4/8/2016 | | | |
| <p>PROPRIETARY AND CONFIDENTIAL THE INFORMATION CONTAINED IN THIS DRAWING IS THE SOLE PROPERTY OF VESCENT PHOTONICS INC. ANY REPRODUCTION IN PART OR AS A WHOLE WITHOUT THE WRITTEN PERMISSION OF VESCENT PHOTONICS INC. IS PROHIBITED.</p> | | | SIZE B | TITLE: D2-120 | REV |
| DO NOT SCALE DRAWING | | | SCALE: 1:1 | WEIGHT: | SHEET 1 OF 1 |