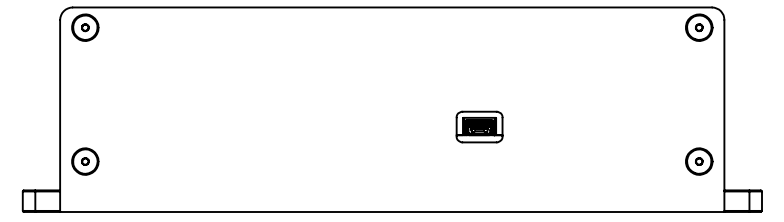
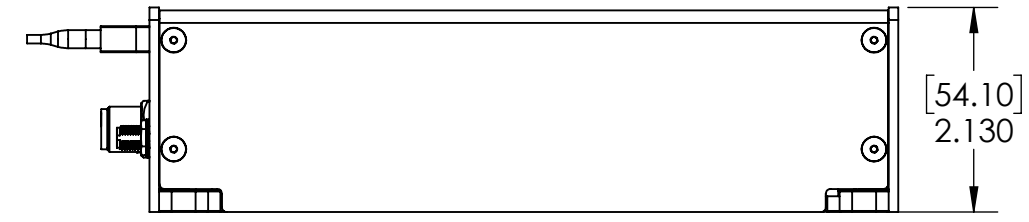
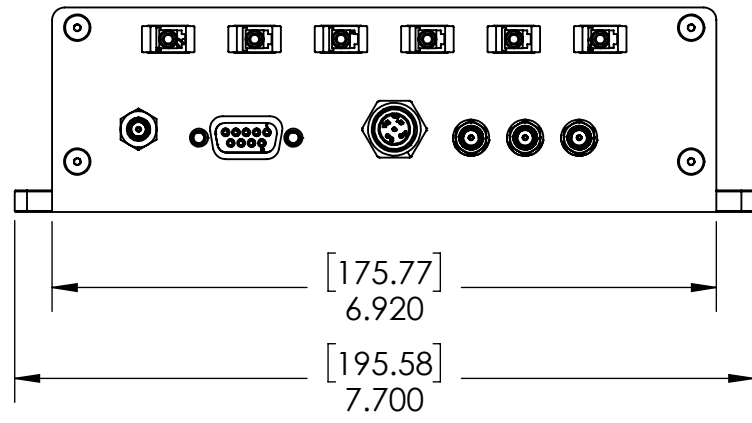
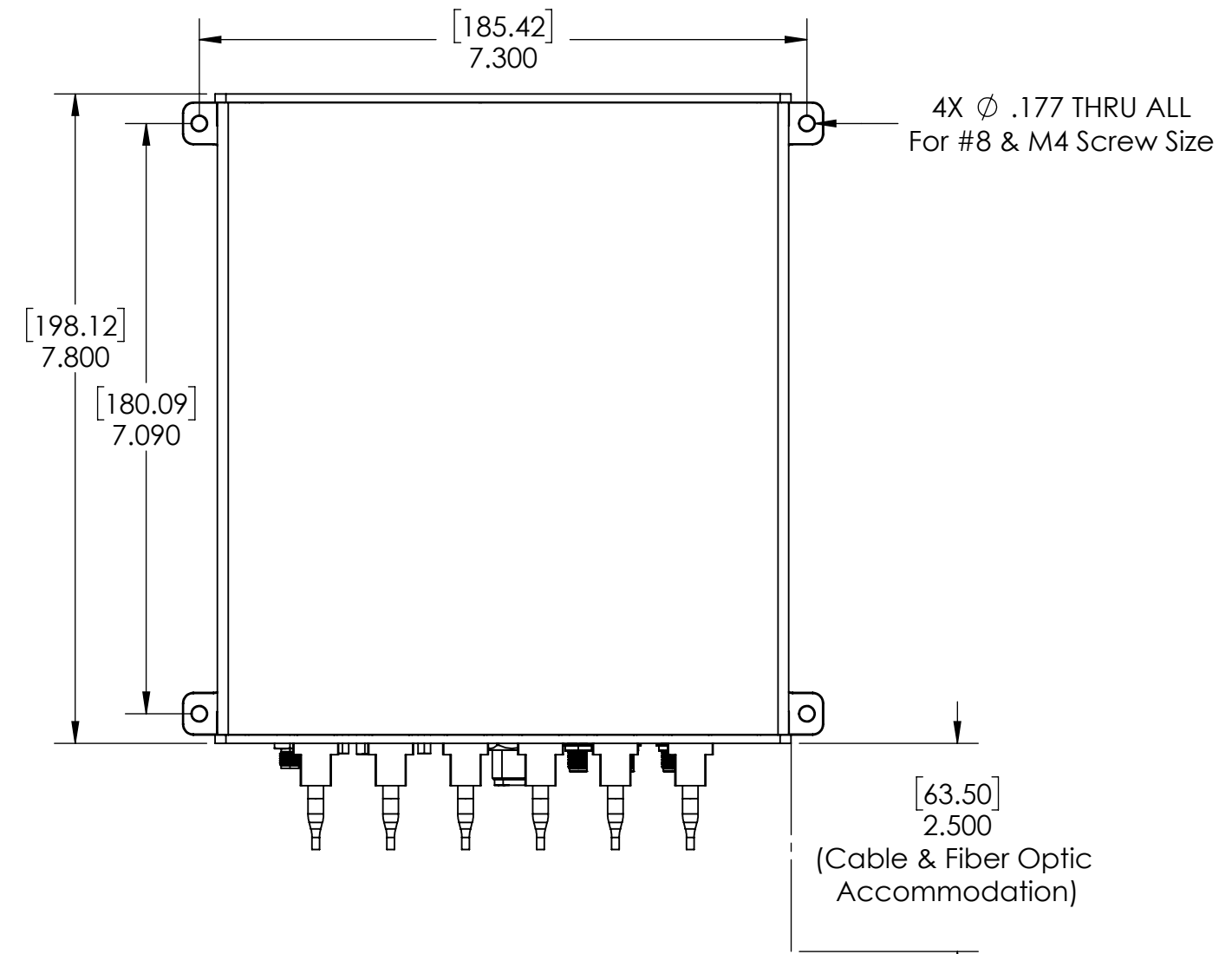


4

3

2

1



PROPRIETARY AND CONFIDENTIAL		Comb Module				
THE INFORMATION CONTAINED IN THIS DRAWING IS THE SOLE PROPERTY OF VESCENT PHOTONICS, INC. ANY REPRODUCTION IN PART OR AS A WHOLE WITHOUT THE WRITTEN PERMISSION OF VESCENT PHOTONICS, INC. IS PROHIBITED.						
	FORMAT B	SCALE 1:2	UNITS [mm] IN	PART NO. 50-00068-R01	REVISION	PAGE 1 / 1

4

3

2

1