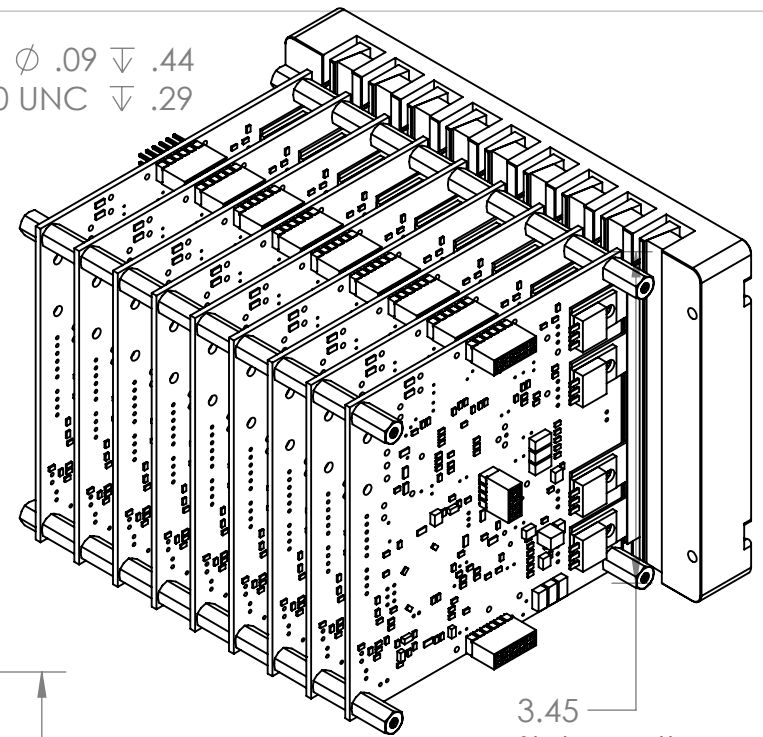
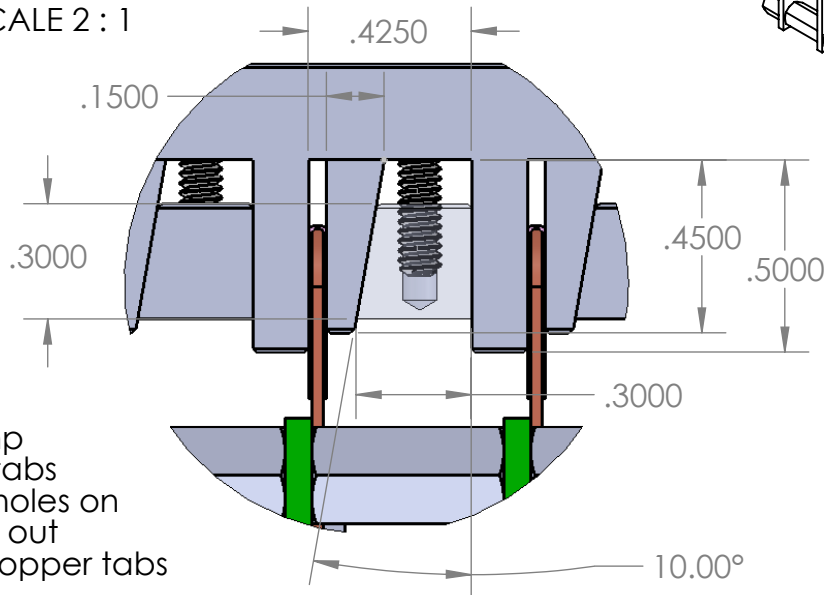


18X \varnothing .09 ∇ .44
4-40 UNC ∇ .29



3.45
Slot Length

DETAIL A
SCALE 2 : 1



Sil-Pad Thickness: 0.010"
Copper Tab Thickness: 0.030"

Array pitch is 0.5700"

Screws pull wedge in to clamp
the sil pad and copper tabs
Screws inserted into tapped holes on
back plate push wedge out
to free the sil pad and copper tabs

PROPRIETARY AND CONFIDENTIAL
THE INFORMATION CONTAINED IN THIS
DRAWING IS THE SOLE PROPERTY OF
VESCENT PHOTONICS, INC. ANY
REPRODUCTION IN PART OR AS A WHOLE
WITHOUT THE WRITTEN PERMISSION OF
VESCENT PHOTONICS, INC. IS
PROHIBITED.

		UNLESS OTHERWISE SPECIFIED:	NAME	DATE
		typical machine tolerance +/- 0.0025"	DRAWN	
		INTERPRET GEOMETRIC TOLERANCING PER:	CHECKED	
		MATERIAL 6061-T6 Aluminum	ENG APPR.	
		FINISH	MFG APPR.	
NEXT ASSY	USED ON		Q.A.	
		DO NOT SCALE DRAWING	COMMENTS: Unless otherwise specified: Break Edges (0.005" 45° or similar is OK) No Sharp Corners	
APPLICATION				

TITLE:
**OEM ICE Board Stack
Wedge Heat Sink Clamp System**

SIZE A	DWG. NO.	REV
SCALE: 1:2	WEIGHT:	SHEET 1 OF 1