

Master and Control Board

Model No. ICE-MC1

Document Revision: 1.0

Document Last Updated on 2014/07/30 18:37

Please read [Limited Warranty](#) and [General Warnings and Cautions](#) prior to operating the ICE-MC1.

Description

The Master and Control Board processes communication between individual ICE boards and external devices. It translates serial text commands into binary commands sent to the proper ICE board. It also distributes power to individual ICE boards, properly sequencing power to the boards and has power safety protection.

Absolute Maximum Ratings

Note: All modules designed to be operated in laboratory environment

Parameter	Rating
Environmental Temperature	>15°C and <30°C
Environmental Humidity	<60%
Environmental Dew Points	<15°C

Specifications

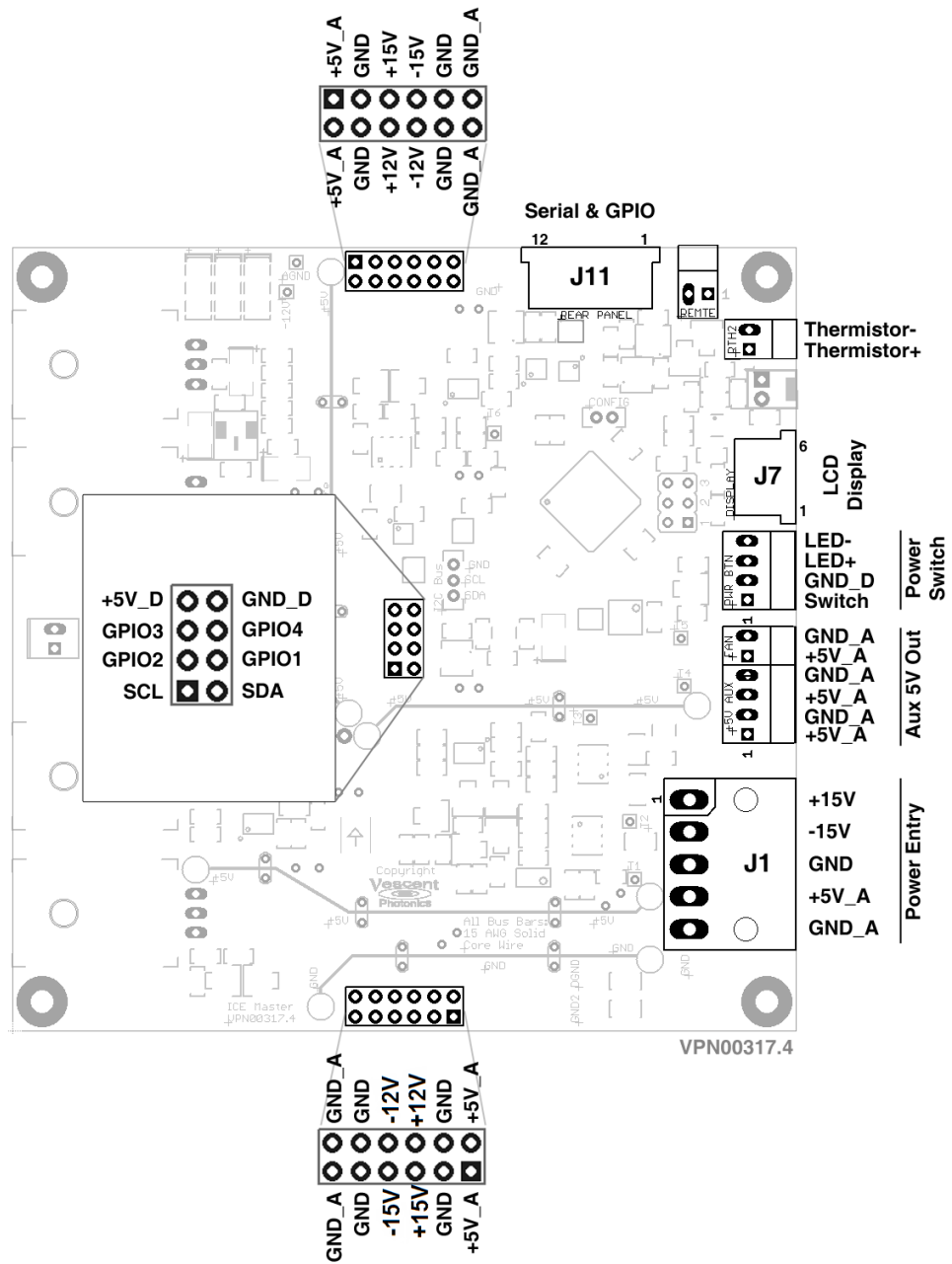
	Min	Typ	Max	Units
Input Power Requirements¹⁾				
5V Supply Current	5	-	-	A
15V Supply Current	1.5	-	-	A
-15V Supply Current	1.5	-	-	A
5V Line Input Range	4.5	-	5.5	V
15V Line Input Range	14.5	-	16	V
-15V Line Input Range	-14.5	-	-16	V
Maximum Power Consumption²⁾				
5V Current Draw	-	-	10	A
15V Current Draw	-	-	3	A
-15V Current Draw	-	-	3	A
D-Sub 9pin Signals				
Safety Interlock Input Voltage Range	0	-	3.3	V
TXO Serial Input Voltage Range	0	-	3.3	V

	Min	Typ	Max	Units
Input Power Requirements¹⁾				
RXI Serial Output Voltage Range	0	-	3.3	V
GPIO Input Voltage Range	0	-	5	V
GPIO Input Voltage Range	0	-	5	V
5V Input Voltage Range	4	5	9	V
5V Input Current Draw	-	25	40	mA
Slave Boards				
Max Number of Slave Boards	-	-	8	
Communication Methods				
I2C Bus				
TTL Serial (3.3V)				
ICE-MC1 Quiescent Power Draw³⁾				
	Min	Typical	Max	Units
5V_A Current Draw		25	40	mA
+15V Current Draw			5	mA
-15V Current Draw			5	mA

I/O

Only for OEM versions of the ICE-MC1 purchased without the ICE-Box

The diagram in [figure 1](#) below shows most of the pin definitions for the ICE-MC1.



connector schematic for OEM integration.

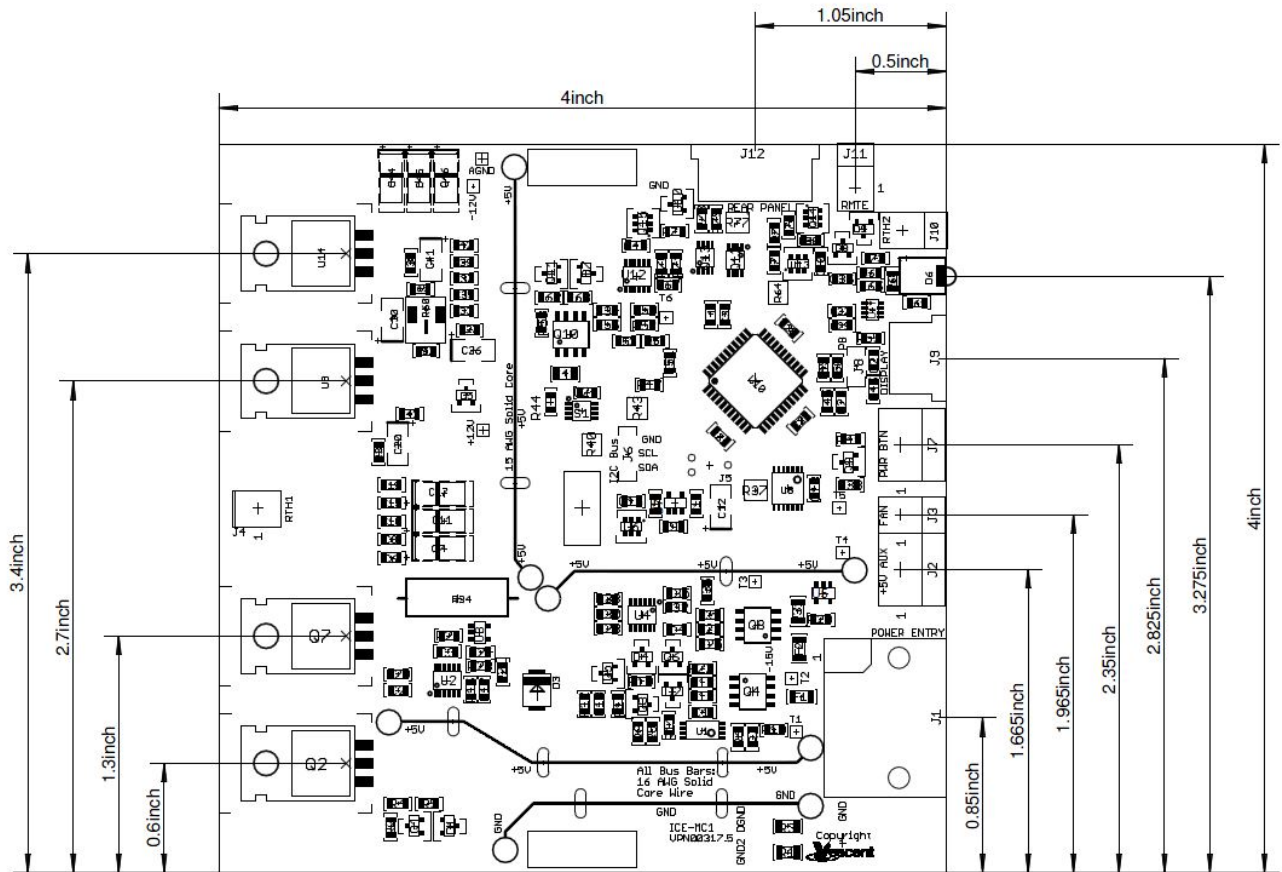



Fig. 2: Connector and component positions on PCB.

Power Entry Connector

Power is provided at J1 (Molex P/N: 0039303056). Pin definition shown in figure 1. The return current path for +5V_A is GND_A. This wiring connected to this return path should be capable of carrying the maximum current of the +5V_A line. Since the master controller handles all power sequencing requirements, the power connections for 5V_A, +15V, and -15V can be applied in any order so long as both ground connections have been established. The master controller will not turn on if any of the required voltages are not present or are out of range. These power entry inputs are also reverse-polarity protected. When the master controller enables power to the daughter boards via the power bus, power is in-rush current limited to less than 10A on the 5V_A line and 3A on the 15V lines.

 The signals GND and GND_A are shorted together on the circuit board through a jumper, but this can be removed.

Serial & GPIO Connector

Communication with the Master Controller and daughter modules is done through flat flex connector J11 shown in figure 1. This connector contains two serial UART bi-directional communication busses, event system GPIO pins, and a safety interlock signal. J11 is a 12-pin 1.00mm pitch flat flex connector (FCI SFW12R-1STE1LF) with a pin definition shown in table 1. Pin 1 is shown below in figure 3.



Generally with flat flex jumper cables, the cables can be folded but the bend radius should not be less than 2mm. The clearance in front of the pcb FFC connectors must be at least 0.25 inches to allow the flat flex cable to exit and bend. The distance between the FFC connector and the first bend of the flat flex cable is determined by the length of the stiffener (or backing) on the flat flex cable.

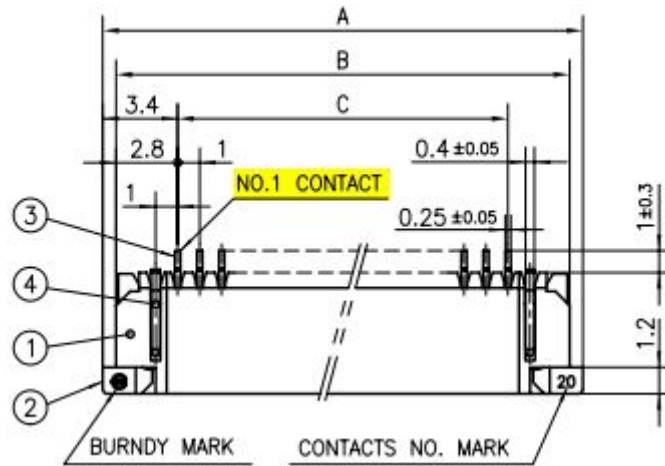


Fig. 3: Flat flex connector pin definition (pin 1 highlighted in yellow).

Pin	Signal
1	3.3V (50mA max)
2	TXO_Serial1
3	RXI_Serial1
4	TXO_Serial2
5	RXI_Serial2
6	Ground
7	GPIO1
8	GPIO2
9	GPIO3
10	GPIO4
11	Ground
12	Safety Interlock

Tab. 1: Pin definitions for J11

Serial UART

This provides two independent asynchronous serial interfaces (UART) to communicate with the ICE-MC1. The serial interface operates at 3.3V signalling levels, 115200 Baud, '8N1' (8 bit, no parity, 1 stop bit). Bus idle state is high (3.3V). The comm (or serial) port to use will be chosen by the USB host computer. See [commands overview](#) page for usage of the serial port. One can be assigned to a USB↔Serial interface if desired. The TXO (transmit out) and RXI (receive in) nomenclature is from the perspective of the device external to the Master Controller. TXO is for an external device transmitting data into the ICE-MC1. RXI is for the ICE-MC1 sending data out to an external device. Either UART bus

can be used to receive commands, but **not** simultaneously (e.g. interleaved bytes). In the [ICE Platform Enclosure](#), UART channel 1 is assigned to a USB↔Serial converter and UART channel 2 is assigned to an external connector for direct TTL serial control from an embedded system or DAC card.



Either UART bus can be used to receive commands, but **not** simultaneously (e.g. interleaved bytes).

GPIO

The GPIO pins are used for event system signalling. Voltage signalling is at 3.3V, active low. Pin definitions and usage is detailed in the [Event System](#) section.

Safety Interlock

The safety interlock signal prevents the Master Controller from releasing the safety interlocks on all attached daughter boards. The safety interlock is only applicable to daughter boards that have laser controllers. Without the safety interlocks released, daughter boards are prevented from powering on lasers. The safety interlock signal floats high to 3.3V and must be pulled down to ground with less than 1kΩ of impedance to release the interlocks. This pin can be permanently shorted directly to ground if safety interlock functionality is not required.



The safety interlock signal floats high to 3.3V and must be pulled down to ground to release the interlocks. This pin can safely be shorted directly to ground if safety interlock functionality is not required.

REMOTE Supply Connector

This connector, located next to J11 shown in [figure 1](#), is for internal enclosure use. It is used to send a power on signal to a remote power supply when the power switch is depressed. Consult Vescent for use of this connector.

Thermistor Connector

A 10k NTC thermistor can be connected to this connector to enable the Master Controller to measure a case temperature. When temperature exceeds a set threshold, the Master Controller can shutdown power to the daughter boards.

LCD Display

For internal use only.

Power Switch

A momentary push button switch can be connected from SWITCH to GND_D. Briefly pulling SWITCH to ground (for longer than 10 ms) will toggle power to the Master Controller and daughter boards. When powering down, the switch will wait 1 second before turning off power to the Master Controller, allowing the Master Controller time to safely shutdown all daughter boards. The default behavior is that when power is applied to the Master Controller through the Power Entry connector, the board remains in a completely power off state (including the microcontroller on the Master Controller) and no serial commands will be acknowledged. The SWITCH signal must be pulled low to turn on the Master Controller, after which commands can be sent to power on or off the daughter boards. The LED+ and LED- signals can be connected to an LED to indicate power state. LED+ is connected 5V and LED- is connected through a 249 Ohm resistor and transistor to ground.



The power switch functionality and default power on behavior can be changed at the factory if these features are not needed. This is set by a user accessible jumper on the circuit board. If the jumper is placed, the ICE-MC1 microcontroller will receive power as soon as +5V is applied to the power entry module.

AUX 5V Out Connector

This connector provides 5V to high current devices. Some daughter board will require more than 3A of current on the 5V rail, and these connectors allow point to point wiring of 5V to reduce voltage drop while drawing large currents (instead of through the system power bus).

Internal Bus Headers

The Master Controller routes power and communications to daughter modules through a set of 3, 0.1" pitch pin headers located on either side of the board and in the middle. The Master Controller routes the raw 5V_A, +15V, and -15V to these headers from the main power entry connector through power conditioning circuitry. The power conditioning circuitry consists of electronic fuses for protection against fast transients, reverse polarity protection, overvoltage and undervoltage detection, and overcurrent protection on each power rail. The Master Controller will clamp inrush current when power is applied to the daughter modules so that the main power supply feeding the power entry connector does not experience power sag during turn on. Should a fault condition occur on either the 5V, +15V, or -15V line, the Master Controller will shutdown all power rails safely. The +12V and -12V power rails are regulated from the 15V inputs on the Master Controller with low-dropout regulators. The center header, which contains 5V_D power for digital circuitry, also carries the [Event System](#) GPIO

lines and the global I2C communications bus (SDA and SCL).

Quick Start Commands Guide

Please see [Overview of Commands and Basic Usage](#) and [Master Board CommandList](#) for more details. All serial commands that go to the ICE-CM1 are prefixed with a "#". These are routed to an individual slave board. For example, the command **#Devices** is a ICE-CM1 command that lists all the attached ICE slave boards and their address number. For example:

```
#Devices

Devices:
1: Temp Controller
2: None
3: Current & OPLS
4: Current & Peak Lock
5: None
6: Temp Controller
7: Current & Peak Lock
8: None
```

The **#Slave** command sets what device to talk to. In the above example, there is a Quad Temperature Controller (ICE-QT1) on slots 1 and 6. To tell the ICE-MC1 to communicate with the ICE-QT1 in slot 6, send the command:

```
#Slave 6
```

The **#Slave** command is persistent: all subsequent commands will be routed to the ICE-QT1 on slot 6 until the **#Slave** command is run again. At this point to query to temperature setpoint on the ICE-QT1's third temperature channel, send the command:

```
TempSet? 3
25.7
```

Because the command **TempSet** does not start with a "#", the ICE-MC1 knows that the command is for a slave board. So it converts the string "TempSet? 3" into binary and sends it over I₂C bus to ICE-QT1 on slot 6. The ICE-QT1 sends binary data back to the ICE-MC1 and the ICE-MC1 converts into a string representing the temperature setpoint and sends "25.7" over the serial line.

- 1) Minimum recommended supply current depends on configuration and number of daughter boards.
- 2) External power provided must also be able to handle the current requirements to utilize maximum power consumption specification
- 3) Power consumption with no daughter boards connected.

From:

<http://www.vescent.com/manuals/> - **Product Manuals**

Permanent link:

<http://www.vescent.com/manuals/doku.php?id=ice:master>

Last update: **2014/07/30 18:37**

