

# Power Supply

Model No. D2-005

Document Revision: 1

Document Last Updated on 2021/08/26 14:26

Please read [Limited Warranty](#) and [General Warnings and Cautions](#) prior to operating the D2-005.

Link to [D2-005 Power Supply web page](#)



D2-005 Power Supply

## Description

The Power Supply is a quiet, linear power supply providing +/-15V and 5V. It is in a separate box to isolate 60 Hz and EM interference. One power supply can power two complete laser systems, or four electronics modules.

## Purchase Includes

- D2-005 Power Supply
- VPN00464 Power Cord

## Absolute Maximum Ratings

Note: All modules designed to be operated in laboratory environment

Parameter	Rating
Environmental Temperature	>15°C and <30°C
Environmental Humidity	<60%
Environmental Dew Points	<15°C

## Specifications

		Units
<b>Current Limit</b>		
+15V	1.5	A
-15V	1.5	A

		<b>Units</b>
+5V	6	A
<b>Output Regulation</b>	0.05	%

## Inputs, Outputs, and Controls

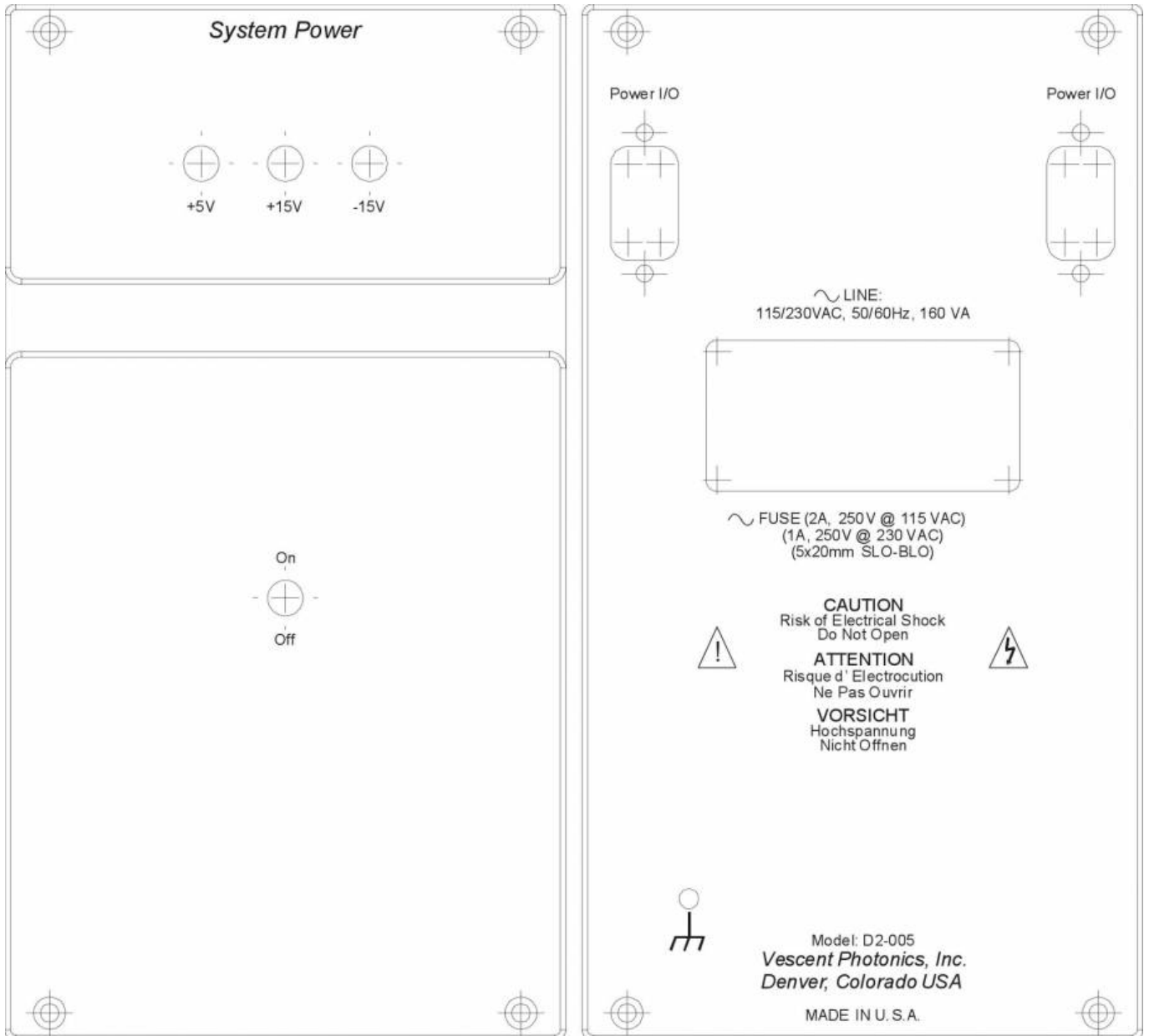


Fig. 1: Schematic drawing of the front and back panels of the D2-005

### Monitor Section

The monitor section contains three blue status LEDs indicating proper voltage on the +15,-15, and 5V power lines. If there is a voltage sag on any of the power lines, the blue status LED will turn off.

## Back panel I/O

### Power I/O (9-pin D-sub)



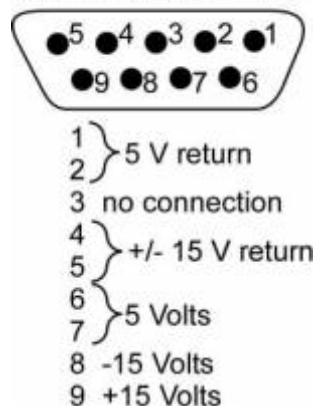
Always turn off the D2-005, make connections to the device, and then re-energize the D2-005. Never connect this D2-005 Power Supply to a device when it is switched on and supplying power.



If you are considering using an Uninterruptible Power Supply (UPS) to guarantee operation of your Vescent products through a brown out or black out, great care should be taken in choosing the model. Lower cost models tend to produce modified square wave voltage profiles. The high-frequency components of such a voltage profile may interact poorly with the D2-005 (and down-stream active Vescent modules). If you do choose to use a UPS, select a model that will provide a sine wave voltage profile without higher harmonic components to avoid potential damage to your high-value equipment.

The power to each electronics module is through a 9-pin D-sub connector through a power bridge unit. The unit can also be powered through any serial cable with 9-pin D-sub connectors, which is convenient when the unit must be taken out of line for access to the side panels. The pin outs are shown in the following figure:

D-Sub Power Pin Out  
(female connector drawn)



From:

<https://www.vescent.com/manuals/> - **Product Manuals**

Permanent link:

[https://www.vescent.com/manuals/doku.php?id=d2:power\\_supply](https://www.vescent.com/manuals/doku.php?id=d2:power_supply)

Last update: **2021/08/26 14:26**

